

MAX 7000B Devices: The Industry's Only Product-Term Device to Support 1.8-V Interfaces

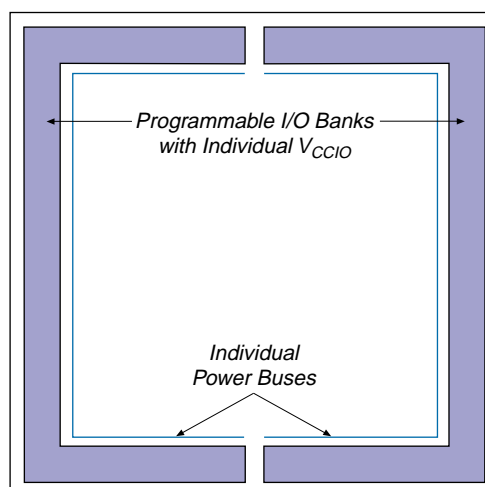


Altera Corporation
 101 Innovation Drive
 San Jose, CA 95134
 (408) 544-7000
<http://www.altera.com>
<https://websupport.altera.com>

Many systems today use processors, memory, and programmable logic (such as APEX™ 20KE devices) running at 1.8 V. The product-term devices used for control/decode logic must be capable of interfacing with these devices at 1.8 V. MAX® 7000B devices are the only product-term devices capable of supporting 1.8-V interfaces.

Each I/O bank in a MAX 7000B device has a separate V_{CCIO} pin than can be set to 1.8 V, 2.5 V, or 3.3 V (See Figure 1).

Figure 1. Two Independent I/O Banks Powered by Separate V_{CCIO} Pins



When the V_{CCIO} pin is set to 1.8 V, the I/O pins within that I/O bank can interface with 1.8-V signals. This makes MAX 7000B devices the only product-term devices that can interface with 1.8-V signals without the need for voltage translation. Table 1 shows how MAX 7000B devices provide support for multiple voltage levels.

V_{CCIO} Level	Input Voltage			Output Voltage		
	1.8 V	2.5 V	3.3 V	1.8 V	2.5 V	3.3 V
1.8 V	✓	✓	✓	✓		
2.5 V	✓	✓	✓		✓	
3.3 V	✓	✓	✓			✓



101 Innovation Drive
 San Jose, CA 95134
 (408) 544-7000
<http://www.altera.com>

Copyright © 2001 Altera Corporation. Altera, APEX, APEX 20K, APEX 20KE, MAX, MAX 7000, MAX 7000B, and specific device designations are trademarks and/or service marks of Altera Corporation in the United States and other countries. Other brands or products are trademarks of their respective holders. The specifications contained herein are subject to change without notice. Altera assumes no responsibility or liability arising out of the application or use of any information, product, or service described herein except as expressly agreed to in writing by Altera Corporation. Altera customers are advised to obtain the latest version of device specifications before relying on any published information and before placing orders for products or services. All rights reserved.